

COPYRIGHT © Hangzhou EZVIZ Software Co., Ltd.. ALL RIGHTS RESERVED.

Any and all information, including, among others, wordings, pictures, graphs are the properties of Hangzhou EZVIZ Software Co., Ltd. (hereinafter referred to as "EZVIZ"). This user manual (hereinafter referred to as "the Manual") cannot be reproduced, changed, translated, or distributed, partially or wholly, by any means, without the prior written permission of EZVIZ. Unless otherwise stipulated, EZVIZ does not make any warranties, guarantees or representations, express or implied, regarding to the Manual.


About this Manual

The Manual includes instructions for using and managing the product. Pictures, charts, images and all other information hereinafter are for description and explanation only. The information contained in the Manual is subject to change, without notice, due to firmware updates or other reasons. Please find the latest version in the EZVIZ™ website (<http://www.ezvizlife.com>).

Revision Record

New release – January, 2019

Trademarks Acknowledgement

EZVIZ™, ™, and other EZVIZ' s trademarks and logos are the properties of EZVIZ in various jurisdictions. Other trademarks and logos mentioned below are the properties of their respective owners.

Legal Disclaimer

TO THE MAXIMUM EXTENT PERMITTED BY APPLICABLE LAW, THE PRODUCT DESCRIBED, WITH ITS HARDWARE, SOFTWARE AND FIRMWARE, IS PROVIDED "AS IS" , WITH ALL FAULTS AND ERRORS, AND EZVIZ MAKES NO WARRANTIES, EXPRESS OR IMPLIED, INCLUDING WITHOUT LIMITATION, MERCHANTABILITY, SATISFACTORY QUALITY, FITNESS FOR A PARTICULAR PURPOSE, AND NON-INFRINGEMENT OF THIRD PARTY. IN NO EVENT WILL EZVIZ, ITS DIRECTORS, OFFICERS, EMPLOYEES, OR AGENTS BE LIABLE TO YOU FOR ANY SPECIAL, CONSEQUENTIAL, INCIDENTAL, OR INDIRECT DAMAGES, INCLUDING, AMONG OTHERS, DAMAGES FOR LOSS OF BUSINESS PROFITS, BUSINESS INTERRUPTION, OR LOSS OF DATA OR DOCUMENTATION, IN CONNECTION WITH THE USE OF THIS PRODUCT, EVEN IF EZVIZ HAS BEEN ADVISED OF THE POSSIBILITY OF SUCH DAMAGES.

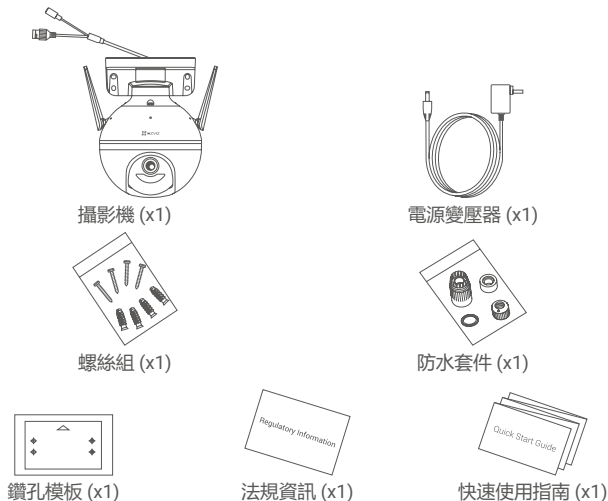
TO THE MAXIMUM EXTENT PERMITTED BY APPLICABLE LAW, IN NO EVENT SHALL EZVIZ' S TOTAL LIABILITY FOR ALL DAMAGES EXCEED THE ORIGINAL PURCHASE PRICE OF THE PRODUCT.

EZVIZ DOES NOT UNDERTAKE ANY LIABILITY FOR PERSONAL INJURY OR PROPERTY DAMAGE AS THE RESULT OF PRODUCT INTERRUPTION OR SERVICE TERMINATION CAUSED BY: A) IMPROPER INSTALLATION OR USAGE OTHER THAN AS REQUESTED; B) THE PROTECTION OF NATIONAL OR PUBLIC INTERESTS; C) FORCE MAJEURE; D) YOURSELF OR THE THIRD PARTY, INCLUDING WITHOUT LIMITATION, USING ANY THIRD PARTY' S PRODUCTS, SOFTWARE, APPLICATIONS, AND AMONG OTHERS.

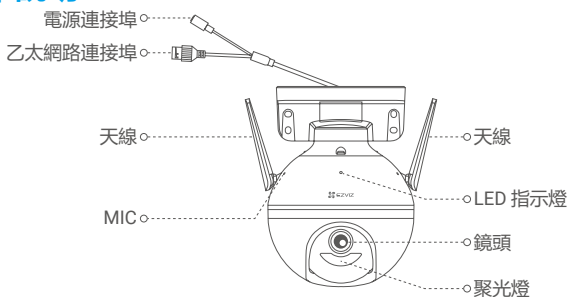
REGARDING TO THE PRODUCT WITH INTERNET ACCESS, THE USE OF PRODUCT SHALL BE WHOLLY AT YOUR OWN RISKS. EZVIZ SHALL NOT TAKE ANY RESPONSIBILITIES FOR ABNORMAL OPERATION, PRIVACY LEAKAGE OR OTHER DAMAGES RESULTING FROM CYBER ATTACK, HACKER ATTACK, VIRUS INSPECTION, OR OTHER INTERNET SECURITY RISKS; HOWEVER, EZVIZ WILL PROVIDE TIMELY TECHNICAL SUPPORT IF REQUIRED. SURVEILLANCE LAWS AND DATA PROTECTION LAWS VARY BY JURISDICTION. PLEASE CHECK ALL RELEVANT LAWS IN YOUR JURISDICTION BEFORE USING THIS PRODUCT IN ORDER TO ENSURE THAT YOUR USE CONFORMS TO THE APPLICABLE LAW. EZVIZ SHALL NOT BE LIABLE IN THE EVENT THAT THIS PRODUCT IS USED WITH ILLEGITIMATE PURPOSES.

IN THE EVENT OF ANY CONFLICTS BETWEEN THE ABOVE AND THE APPLICABLE LAW, THE LATTER PREVAILS.

包裝內容



基本說明

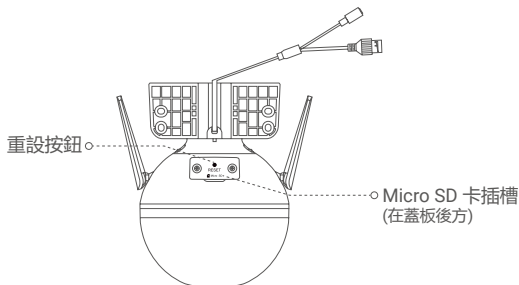


名稱

LED 指示燈

說明

- 恆亮紅燈：攝影機啟動中。
- 緩慢閃紅燈：Wi-Fi 連線失敗。
- 快速閃紅燈：攝影機異常 (例如 Micro SD 卡錯誤)。
- 恆亮藍燈：正在使用 EZVIZ 應用程式檢視即時影像。
- 緩慢閃藍燈：攝影機運作正常。
- 快速閃藍燈：攝影機可進行 Wi-Fi 連線。



名稱

重設按鈕

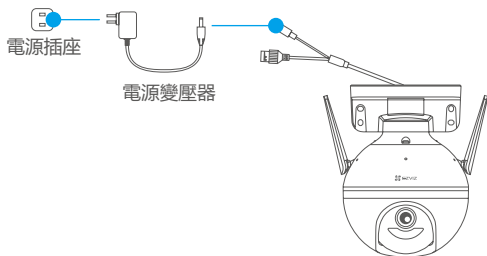
說明

按住 5 秒鐘即可重新啟動並將所有參數重設為預設值。

設定

1. 開啟電源

先將電源線連接至攝影機，再將電源變壓器插入插座，如下圖所示。



i LED 指示燈快速閃藍燈，表示攝影機已開啟電源，可開始設定 Wi-Fi。

2. 連線至網際網路

1. 取得 EZVIZ 應用程式

- 將您的手機連線至 Wi-Fi。
- 在 App Store 或 Google Play Store™ 中搜尋「EZVIZ」，下載並安裝 EZVIZ 應用程式。
- 啟動應用程式並且註冊 EZVIZ 使用者帳戶。

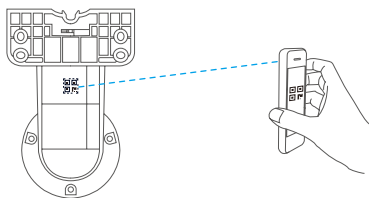
2. 將攝影機新增至 EZVIZ

選項 1：無線連線

- 使用 EZVIZ 應用程式登入帳號。
- 在主畫面中，點選右上角的「+」以進入掃描 QR 代碼介面。



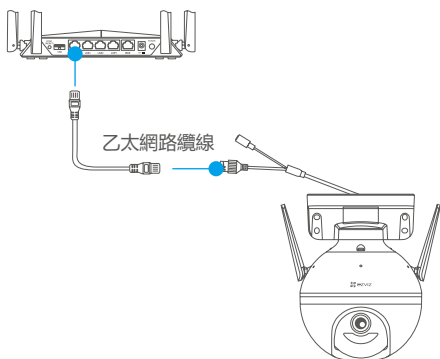
- 掃描快速入門指南封面或相機機身上的 QR 碼。



- 依照 EZVIZ 應用程式精靈完成 Wi-Fi 設定。

選項 2：有線連線

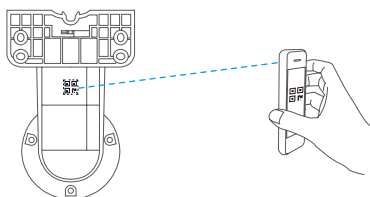
- 使用乙太網路線 (包裝中未隨附) 將攝影機連接至路由器的 LAN 連接埠。



- 使用 EZVIZ 應用程式登入帳號。
- 在主畫面中，點選右上角的「+」以進入掃描 QR 代碼介面。



- 掃描快速入門指南封面或相機機身上的 QR 碼。

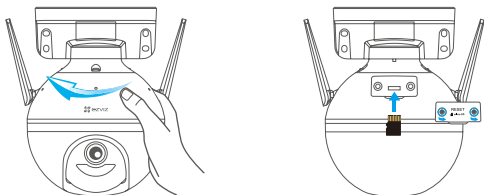


- 依照精靈步驟將攝影機新增到 EZVIZ 應用程式。

安裝

1. 安裝 Micro SD 卡 (選擇性)

- 逆時針旋轉攝影機。
- 移除攝影機上的蓋子。
- 將 micro SD 卡 (另售) 插入卡片插槽，如下圖所示。
- 裝回蓋子。



- 在 EZVIZ 應用程式中，點擊 Device Settings (裝置設定) 介面中的 **Storage Status (儲存裝置狀態)** 查看 SD 卡狀態。
- 如果記憶卡狀態顯示為 **Uninitialized (未初始化)**，請點擊以將記憶卡初始化。接著，狀態會變至 **Normal (正常)**，即可儲存影片。

2. 安裝攝影機

- 請確定牆壁的強度足以承受三倍的攝影機重量。
- 攝影機可安裝在牆壁、天花板或柱子上。

安裝於牆壁/天花板

- 將鑽孔模板放在選擇安裝攝影機的表面上。
- (僅適用於水泥牆/天花板) 依模板鑽出螺絲孔，然後插入四支膨脹螺絲。
- 用四支金屬螺絲固定攝影機底座。

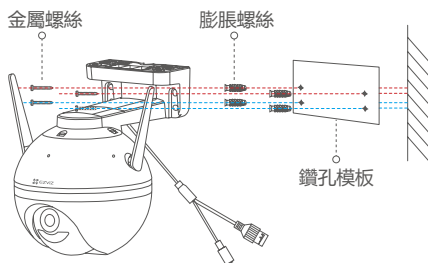


圖 1 安裝於牆壁

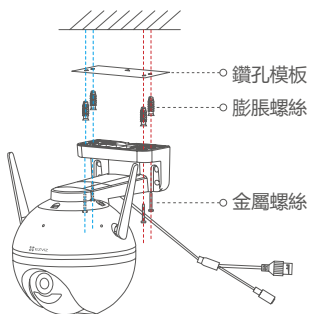
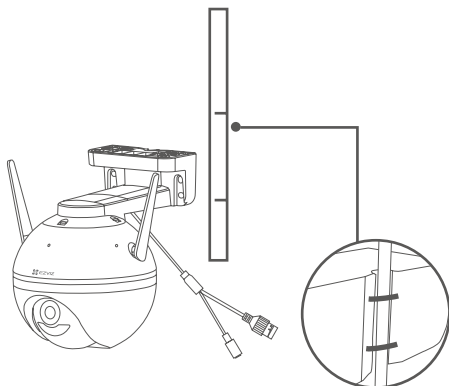


圖 2 安裝於天花板

安裝於柱子

用束線 (包裝中未隨附) 將攝影機底座固定在柱子上。



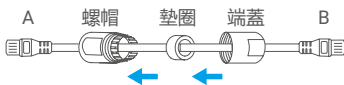
3. 安裝防水套件 (選擇性)

i 如果將攝影機安裝在戶外或潮濕環境中，請使用防水套件。

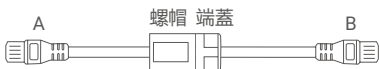
- 將墊片插入攝影機的乙太網路連接埠。



- 將乙太網路線的 A 側穿過螺帽、墊片和端蓋。



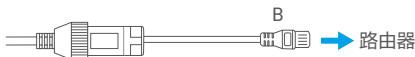
- 鎖緊墊圈和端蓋。



- 將 A 側插入攝影機的乙太網路連接埠，然後旋緊螺帽。



- 將 B 端連接到路由器或 PoE 交換機的 LAN 連接埠。



i 低功率電波輻射性電機管理辦法
第十二條

經型式認證合格之低功率射頻電機，非經許可，公司、商號或使用者均不得擅自變更頻率、加大功率或變更原設計之特性及功能。

第十四條

低功率射頻電機之使用不得影響飛航安全及干擾合法通信；經發現有干擾現象時，應立即停用，並改善至無干擾時方得繼續使用。前項合法通信，指依電信法規定作業之無線電通信。低功率射頻電機須忍受合法通信或工業、科學及醫療用電波輻射性電機設備之干擾。

i 如需詳細資訊，請瀏覽 www.ezvizlife.com。