



T1

**100% Wire-Free Pet Immune PIR Detector
(must be paired with the A1)**

With a compact and sleek design, the T1 can cover a wide angle of 100°.



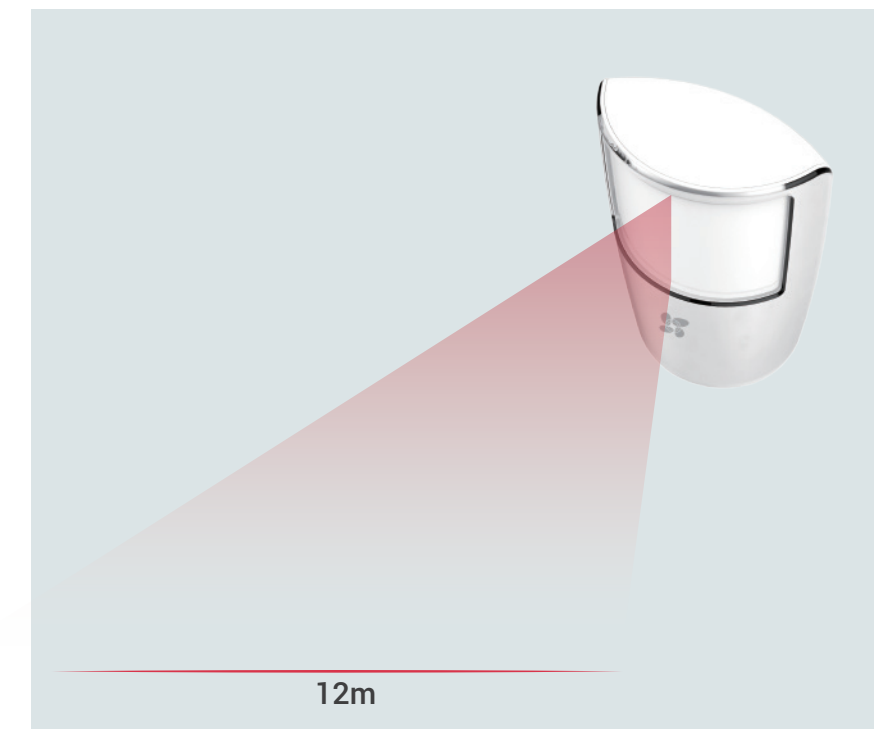
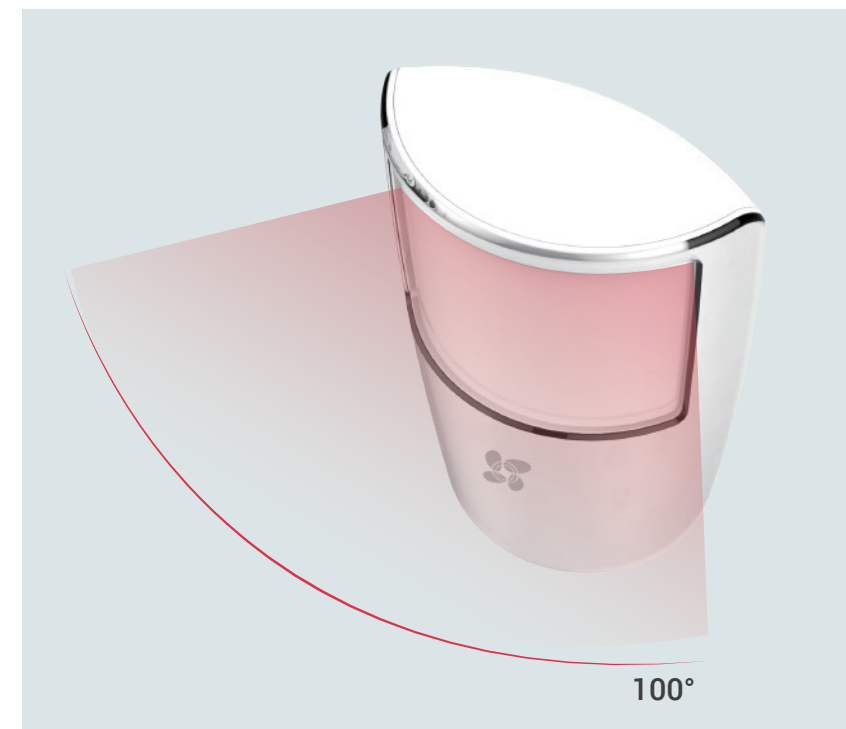
State-of-the-art motion detection

The T1 detects infrared radiation emitted by humans, ensuring you a higher degree of security.



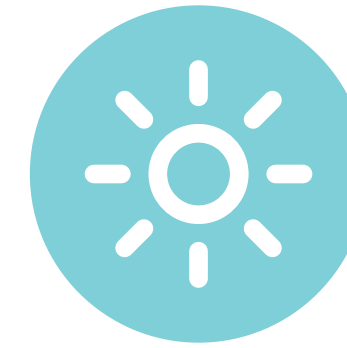
Wide angle

The T1 has a wide viewing angle of 100°, allowing you to cover up to 12m vertically and horizontally.



No more false alarms

The T1 disregards movement by pets up to 25kg.
The Nicera lens filter also reduces false positives caused by the sun's reflection.



Sun Reflection



Up to 25kg

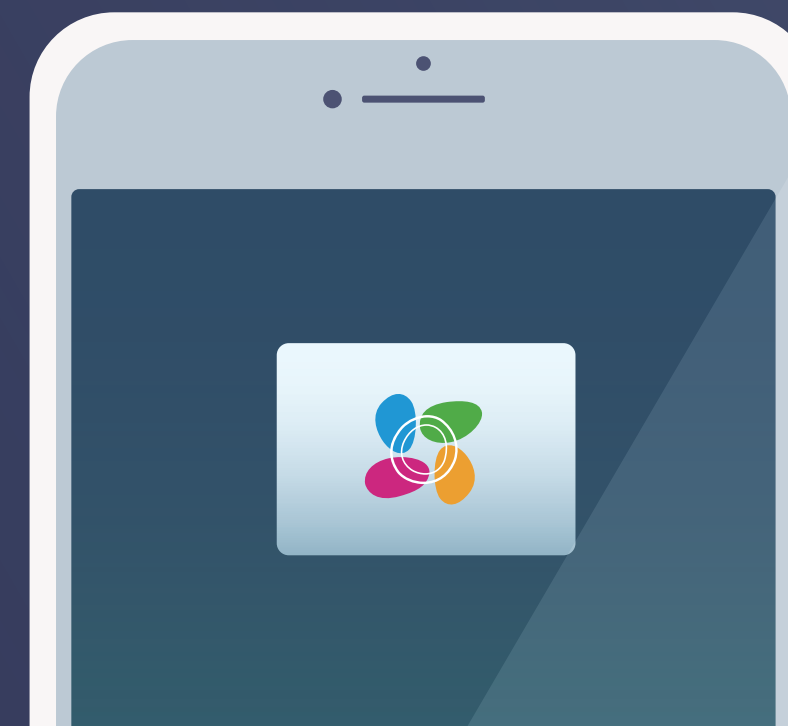
Low power consumption

The ultra-low power consumption design allows for up to two years of battery life.



Instant alerts

Whenever the T1 detects motion, the A1 sends an instant alert to your smartphone.



Integrated solution

The A1 can be connected to your EZVIZ cameras.
When the T1 is triggered, the camera instantly starts recording images and a video.



Control via the EZVIZ App

With the EZVIZ App, you can remotely control the A1 and all devices connected to it even when you are away from home.



Specifications Model CS-T1-C/12M

Specifications

Detector Type	PIR
Pet Immune Level	Up to 25kg (55lbs)
Detection Range	Up to 12×12m
Horizontal Viewing Angle	100°
Working Frequency	According to regulations: 868MHz

Other

Battery Type	CR123A
Battery Life	2 Years
Working Voltage	3V
Working Current	Static State: 15uA; Up to 22mA
Product Dimensions	99 × 66 × 38mm (3.90' × 2.60' × 1.50')
Packaging Dimensions	131 x 69 x 46 mm
Weight	68g (0.15lb)

Package Contents:

- T1 x 1
- Angle Bar x 1
- Base x 1
- Screw Kit x 1
- Foam Stickers
- Quick Start Guide x 1

Requirements

- Operating Conditions: -10°C ~ 60°C, Humidity 95% or less (non-condensing)

Certificates

CE/RoHS/REACH/WEEE

Specifications are subject to change without notice. EZVIZ App interface images are for illustrative purposes only.

EZVIZ is a registered trademark of Hangzhou EZVIZ Network Co., Ltd.

Other brands and product names are trademarks or registered trademarks of their respective holders.

<https://www.ezvizlife.com/>