



EN

FR

ES

RU

TR

EG

Quick Start Guide

www.ezvizlife.com

COPYRIGHT © 2019 Hangzhou EZVIZ Software Co., Ltd.. ALL RIGHTS RESERVED.

Any and all information, including, among others, wordings, pictures, graphs are the properties of Hangzhou EZVIZ Software Co., Ltd. (hereinafter referred to as "EZVIZ"). This user manual (hereinafter referred to as "the Manual") cannot be reproduced, changed, translated, or distributed, partially or wholly, by any means, without the prior written permission of EZVIZ. Unless otherwise stipulated, EZVIZ does not make any warranties, guarantees or representations, express or implied, regarding to the Manual.

About this Manual

The Manual includes instructions for using and managing the product. Pictures, charts, images and all other information hereinafter are for description and explanation only. The information contained in the Manual is subject to change, without notice, due to firmware updates or other reasons. Please find the latest version in the

EZVIZ™ website (<http://www.ezvizlife.com>).

Revision Record

New release – January, 2019

Trademarks Acknowledgement

EZVIZ™ ™, and other EZVIZ's trademarks and logos are the properties of EZVIZ in various jurisdictions. Other trademarks and logos mentioned below are the properties of their respective owners.

Legal Disclaimer

TO THE MAXIMUM EXTENT PERMITTED BY APPLICABLE LAW, THE PRODUCT DESCRIBED, WITH ITS HARDWARE, SOFTWARE AND FIRMWARE, IS PROVIDED "AS IS", WITH ALL FAULTS AND ERRORS, AND EZVIZ MAKES NO WARRANTIES, EXPRESS OR IMPLIED, INCLUDING WITHOUT LIMITATION, MERCHANTABILITY, SATISFACTORY QUALITY, FITNESS FOR A PARTICULAR PURPOSE, AND NON-INFRINGEMENT OF THIRD PARTY. IN NO EVENT WILL EZVIZ, ITS DIRECTORS, OFFICERS, EMPLOYEES, OR AGENTS BE LIABLE TO YOU FOR ANY SPECIAL, CONSEQUENTIAL, INCIDENTAL, OR INDIRECT DAMAGES, INCLUDING, AMONG OTHERS, DAMAGES FOR LOSS OF BUSINESS PROFITS, BUSINESS INTERRUPTION, OR LOSS OF DATA OR DOCUMENTATION, IN CONNECTION WITH THE USE OF THIS PRODUCT, EVEN IF EZVIZ HAS BEEN ADVISED OF THE POSSIBILITY OF SUCH DAMAGES.

TO THE MAXIMUM EXTENT PERMITTED BY APPLICABLE LAW, IN NO EVENT SHALL EZVIZ'S TOTAL LIABILITY FOR ALL DAMAGES EXCEED THE ORIGINAL PURCHASE PRICE OF THE PRODUCT.

EZVIZ DOES NOT UNDERTAKE ANY LIABILITY FOR PERSONAL INJURY OR PROPERTY DAMAGE AS THE RESULT OF PRODUCT INTERRUPTION OR SERVICE TERMINATION CAUSED BY: A) IMPROPER INSTALLATION OR USAGE OTHER THAN AS REQUESTED; B) THE PROTECTION OF NATIONAL OR PUBLIC INTERESTS; C) FORCE MAJEURE; D) YOURSELF OR THE THIRD PARTY, INCLUDING WITHOUT LIMITATION, USING ANY THIRD PARTY'S PRODUCTS, SOFTWARE, APPLICATIONS, AND AMONG OTHERS.

REGARDING TO THE PRODUCT WITH INTERNET ACCESS, THE USE OF PRODUCT SHALL BE WHOLLY AT YOUR OWN RISKS. EZVIZ SHALL NOT TAKE ANY RESPONSIBILITIES FOR ABNORMAL OPERATION, PRIVACY LEAKAGE OR OTHER DAMAGES RESULTING FROM CYBER ATTACK, HACKER ATTACK, VIRUS INSPECTION, OR OTHER INTERNET SECURITY RISKS; HOWEVER, EZVIZ WILL PROVIDE TIMELY TECHNICAL SUPPORT IF REQUIRED.

SURVEILLANCE LAWS AND DATA PROTECTION LAWS VARY BY JURISDICTION. PLEASE CHECK ALL RELEVANT LAWS IN YOUR JURISDICTION BEFORE USING THIS PRODUCT IN ORDER TO ENSURE THAT YOUR USE CONFORMS TO THE

APPLICABLE LAW. EZVIZ SHALL NOT BE LIABLE IN THE EVENT THAT THIS PRODUCT IS USED WITH ILLEGITIMATE PURPOSES.

IN THE EVENT OF ANY CONFLICTS BETWEEN THE ABOVE AND THE APPLICABLE LAW, THE LATTER PREVAILS.

Regulatory Information

FCC Information

This device complies with Part 15 of the FCC Rules. Operation is subject to the following two conditions:

(1) This device may not cause harmful interference, and

(2) This device must accept any interference received, including interference that may cause undesired operation.

Note: This product has been tested and found to comply with the limits for a Class B digital device, pursuant to Part 15 of the FCC Rules. These limits are designed to provide reasonable protection against harmful interference in a residential installation. This product generates, uses, and can radiate radio frequency energy and, if not installed and used in accordance with the instructions, may cause harmful interference to radio communications. However, there is no guarantee that interference will not occur in a particular installation. If this product does cause harmful interference to radio or television reception, which can be determined by turning the equipment off and on, the user is encouraged to try to correct the interference by one or more of the following measures:

—Reorient or relocate the receiving antenna.

—Increase the separation between the equipment and receiver.

—Connect the equipment into an outlet on a circuit different from that to which the receiver is connected.

—Consult the dealer or an experienced radio/TV technician for help.

Please take attention that changes or modification not expressly approved by the party responsible for compliance could void the user's authority to operate the equipment.

This equipment should be installed and operated with a minimum distance 20cm between the radiator and your body.

This device complies with Industry Canada licence-exempt RSS standard(s). Operation is subject to the following two conditions:

(1) this device may not cause interference, and

(2) this device must accept any interference, including interference that may cause undesired operation of the device.

Under Industry Canada regulations, this radio transmitter may only operate using an antenna of a type and maximum (or lesser) gain approved for the transmitter by Industry Canada. To reduce potential radio interference to other users, the antenna type and its gain should be so chosen that the equivalent isotropically radiated power (e.i.r.p.) is not more than that necessary for successful communication.



EU Conformity Statement

This product and - if applicable - the supplied accessories too are marked with "CE" and comply therefore with the applicable harmonized European standards listed under the Radio Equipment Directive 2014/53/EU, the EMC Directive 2014/30/EU, the RoHS Directive 2011/65/EU.



2012/19/EU (WEEE directive): Products marked with this symbol cannot be disposed of as unsorted municipal waste in the European Union. For proper recycling, return this product to your local supplier upon the purchase of equivalent new equipment, or dispose of it at designated collection points. For more information see: www.recyclethis.info.



2006/66/EC and its amendment 2013/56/EU (battery directive): This product contains a battery that cannot be disposed of as unsorted municipal waste in the European Union. See the product documentation for specific battery information. The battery is marked with this symbol, which may include lettering to indicate cadmium (Cd), lead (Pb), or mercury (Hg). For proper recycling, return the battery to your supplier or to a designated collection point. For more information see: www.recyclethis.info.

Гарантийный срок-1 год

Срок службы-3 года



Производитель:Ханджоу Хиквижн Диджитал Технолджи(Китай)

Импортер-поставщик в России: ЗАО "Хиквижн"

Импортер-поставщик в Республике Беларусь:ООО "Торговый Дом "АВАНТ-ТЕХНО"

Сайт:www.ezviz.ru

Industry Canada ICES-003 Compliance

This device meets the CAN ICES-3 (B)/NMB-3(B) standards requirements.

EC DECLARATION OF CONFORMITY

Hereby, Hangzhou EZVIZ Software Co., Ltd . declares that the radio equipment type [CS-CMT-Solar Panel] is in compliance with Directive 2014/53/EU.

The full text of the EC DECLARATION OF CONFORMITY is available at the following web link:

<http://www.ezvizlife.com/declaration-of-conformity>.

Safety Instruction

Due to the product shape and dimension, the name and address of the importer/manufacture are printed on the package.

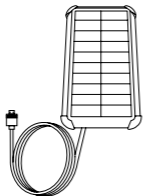
Customer Service

For more information, please visit www.ezvizlife.com.

Need help? Please visit "www.ezvizlife.com/inter/page/contact-us" for our local contact details.

SAVE THIS MANUAL FOR FUTURE REFERENCE

Box Content



Solar Panel (x1)



Screw Kit (x1)



Adjustable Mounting Bracket (x1)



Quick Start Guide (x1)



The solar panel appearance is subject to the actual one you have bought.

Installation

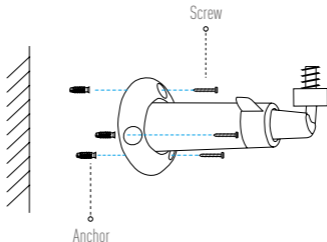
EN

You can install the solar panel on the wall or ceiling.

- i** CAUTION: As an alternative charging equipment, the power amount generated by this solar panel may be affected by its actual surrounding environment, mainly the intensity of sunlight and the time length of illumination. If the battery camera is running out of power soon, please bear it in mind that this solar panel alone cannot ensure the camera remains in working status.

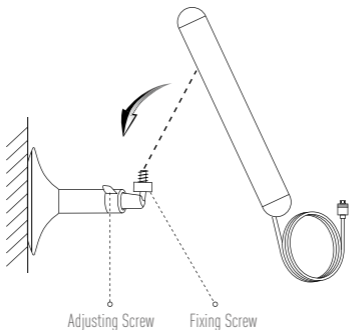
1 Install the bracket

- (For the cement wall/ceiling only) Drill screw holes, and insert three anchors.
- Use three screws to fix the bracket.



2 Install the Solar Panel

- Mount the solar panel on the bracket.
- Tighten the fixing screw.



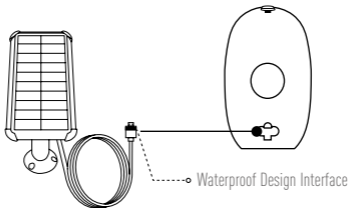
3 Adjust the Angle

- Loosen the adjusting screw.
- Adjust the solar panel angle as your desired place.
- Tighten the adjusting screw when you have the solar panel in the position you want.

i Make sure that the solar panel receives maximum solar radiation.

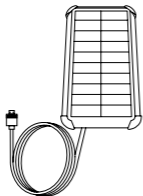
4 Charge the Battery Camera

- Connect it with battery camera.



i For detailed information, please visit www.ezvizlife.com.

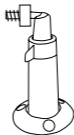
Contenu de la boîte



Panneau solaire (x1)



Kit de visserie (x1)



Support de montage réglable (x1)



Guide de démarrage rapide (x1)



Le panneau solaire que vous avez acheté fait office de référence.

Installation

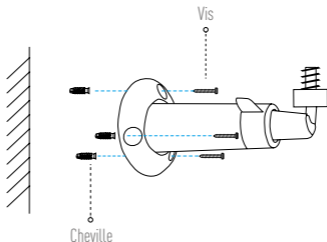
Vous pouvez installer le panneau solaire sur le mur ou le plafond.

FR

- i** ATTENTION : Ceci est un équipement de recharge à source alternative : la quantité d'énergie générée par ce panneau solaire peut être affectée par son environnement, et principalement par l'intensité de la lumière du soleil et la durée d'exposition à la lumière. Si la batterie de la caméra est presque vide, souvenez-vous que ce panneau solaire seul ne peut assurer seul le fonctionnement continu de cette dernière.

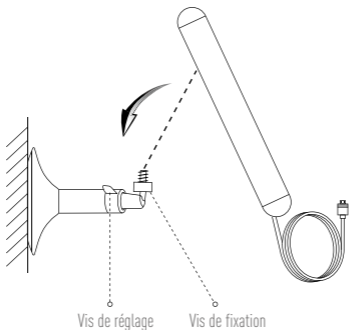
1 Installation du support

- (Installation uniquement sur un mur ou un plafond en ciment) Percez les trous pour les vis et insérez-y les chevilles.
- Fixez le support à l'aide de trois vis.



2 Installation du panneau solaire

- Montez le panneau solaire sur le support.
- Serrez la vis de fixation.



3 Réglage de l'angle

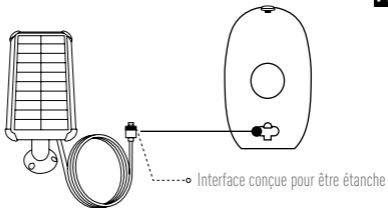
- Desserrez la vis de réglage.
- Ajustez l'angle du panneau solaire comme désiré.
- Vissez la vis de réglage lorsque le panneau solaire se trouve dans la position désirée.

i Assurez-vous que le panneau solaire reçoit la quantité de rayons solaires maximale.

4 Charge de la batterie de la caméra

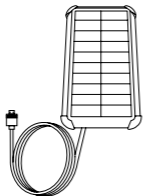
- Connexion avec la batterie de la caméra.

FR

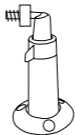


i Pour obtenir des informations détaillées, visitez le site www.ezvizlife.com.

Contenido de la caja



Panel solar (x1)



Soporte de montaje ajustable (x1)



Juego de tornillos (x1)



Guía de inicio rápido (x1)



El aspecto del panel solar está sujeto a la del dispositivo real que haya comprado.

Instalación

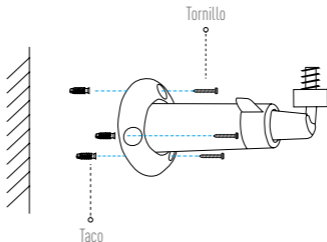
Puede instalar el panel solar en la pared o en el techo.

- i** PRECAUCIÓN: Como equipo de carga alternativo, la cantidad de energía generada por este panel solar puede verse afectada por su entorno natural real, principalmente la intensidad de la luz solar y la duración del tiempo de iluminación. Si la cámara a baterías se está quedando sin energía, tenga en cuenta que este panel solar solo no puede garantizar que la cámara permanezca en funcionamiento.

ES

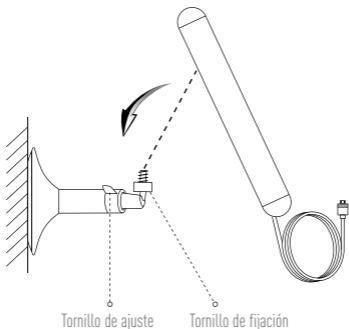
1 Instale el soporte

- (Para pared/techo de cemento solamente) Taladre los agujeros para los tornillos e inserte tres tacos de anclaje.
- Utilice tres tornillos para fijar el soporte.



2 Instalación del panel solar

- Monte el panel solar en el soporte.
- Apriete el tornillo de fijación.

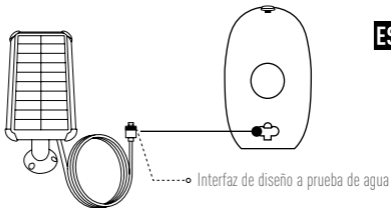


3 Ajuste del ángulo

- Afloje el tornillo de ajuste.
- Ajuste el ángulo del panel solar a la posición deseada.
- Apriete el tornillo de ajuste cuando tenga el panel solar en la posición que desee.

i Asegúrese de que el panel solar reciba la máxima radiación solar.

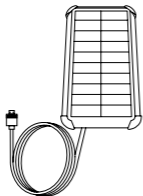
4 Carga de la batería de la cámara
- Conéctelo con la cámara a baterías.



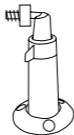
ES

i Para obtener información detallada, visite www.ezvizlife.com.

Комплектация



Солнечная батарея, 1 шт.



Регулируемый монтажный кронштейн, 1 шт.



Комплект винтового крепления, 1 шт.



Руководство по быстрой настройке, 1 шт

Внешний вид приобретенной вами солнечной батареи может отличаться от приведенного на схематическом рисунке.



Установка

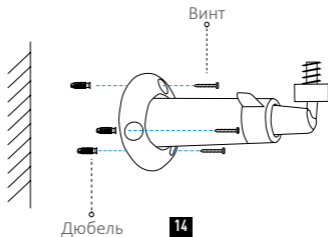
Вы можете смонтировать солнечную батарею на стене или потолке.

- i** ПРЕДУПРЕЖДЕНИЕ! Солнечная батарея является альтернативным устройством для зарядки; на количество энергии, генерируемой батареей, могут влиять текущие условия окружающей среды, а именно интенсивность солнечного света и продолжительность освещения. Следует помнить, что когда кончается заряд аккумуляторной батареи камеры, солнечная батарея не может поддерживать камеру в рабочем состоянии самостоятельно.

RU

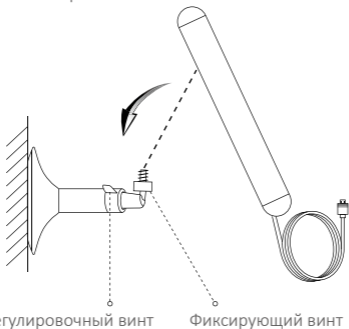
1 Монтаж кронштейна

- (Только для бетонных стен / потолка) Высверлите отверстия под винты и установите в них три дюбеля.
- Закрепите кронштейн тремя винтами.



2 Установка солнечной батареи

- Установите солнечную батарею на кронштейн.
- Затяните крепежный винт.



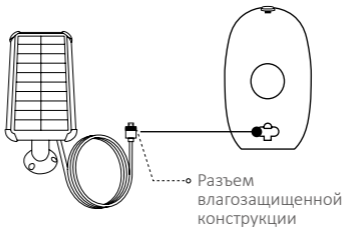
3 Регулировка угла наклона

- Ослабьте регулировочный винт.
- Наклоните солнечную батарею под нужным углом.
- Добившись требуемого положения солнечной батареи, затяните регулировочный винт.

i Убедитесь, что панель солнечной батареи принимает максимальное количество солнечного излучения.

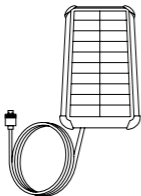
Зарядка аккумуляторной батареи камеры

- 4** - Подсоедините устройство к аккумуляторной батарее камеры.

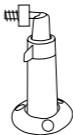


- i** Для получения подробной информации посетите веб-сайт www.ezvizlife.com.

Kutu İeriđi



Güneş Paneli (x1)



Ayarlanabilir Montaj Desteđi (x1)



Vida Kiti (x1)



Hızlı Başlangı Kılavuzu (x1)

i Güneş panelinin görünümü, aldıđınız ürüne göre deđiřir.

Montaj

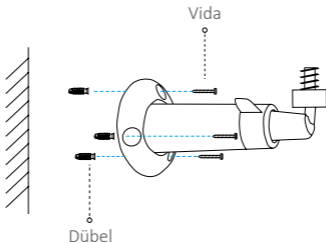
Güneş panelini duvara veya tavana monte edebilirsiniz.

- i** DİKKAT: Alternatif bir şarj ekipmanı olarak, bu güneş paneli tarafından üretilen güç miktarı ağırlıklı olarak güneş ışığının yoğunluğu ve aydınlatma süresinin uzunluğu gibi etrafındaki asıl ortam şartlarından etkilenebilir. Kamera pilinin gücü kısa zamanda bitiyorsa, lütfen tek başına bu güneş panelinin kameranın çalışır durumda kalmasını sağlayamayacağını unutmayın.

TR

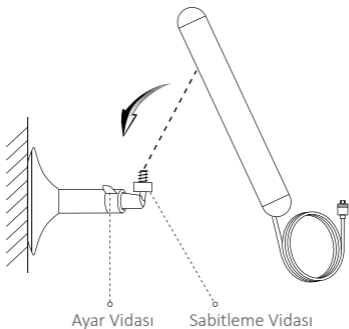
1 Desteği takın

- (Sadece çimento duvar/tavan için) Vida deliklerini delin ve üç dübeli yerleştirin.
- Üç vidayı desteği sabitlemek için kullanın.



2 Güneş Panelinin Montajı

- Güneş panelini desteğe monte edin.
- Sabitleme vidasını sıkın.



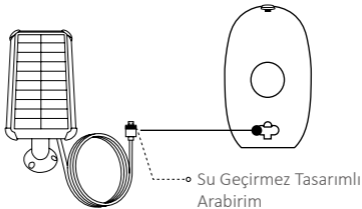
3 Açığı Ayarlama

- Ayarlama vidasını gevşetin.
- Güneş paneli açısını istediğiniz yere göre ayarlayın.
- İsteddiğiniz konuma gelince ayarlama vidasını sıkıştırın.

i Güneş panelinin maksimum güneş ışınımı aldığından emin olun.

4 Kamera Pilini Şarj Edin.

- Kamera piline bağlayın.

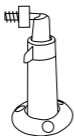


TR

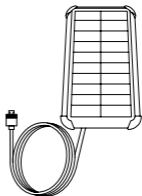


Detaylı bilgi için lütfen www.ezvizlife.com adresini ziyaret edin.

محتويات الصندوق



كثيفة تركيب قابلة للتعديل (قطعة واحدة)



لوحة الطاقة الشمسية (قطعة واحدة)



دليل البدء السريع (قطعة واحدة)



طقم البراغي (قطعة واحدة)

يعتمد مظهر لوحة الطاقة الشمسية على اللوحة الفعلية التي اشتريتها.



التركيب

يمكنك تركيب لوحة الطاقة الشمسية على الجدار أو على السقف.

تنبيه: كجهاز شحن بديل، قد تتأثر كمية الطاقة التي تنتجها لوحة الطاقة الشمسية هذه بالبيئة الفعلية المحيطة بها، والتي تتمثل بشكل أساسي في كثافة ضوء الشمس ومدّة

الإضاءة. إذا نفذت طاقة الكاميرا التي تعمل بالبطارية بسرعة، فيرجى العلم أن هذه اللوحة الشمسية وحدها لا يمكن أن تضمن أن تظل الكاميرا قيد العمل.

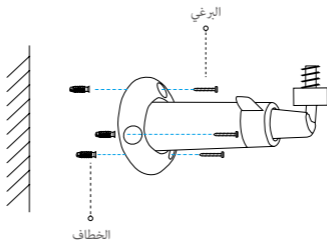
i

EG

1

تركيب الكتيفة

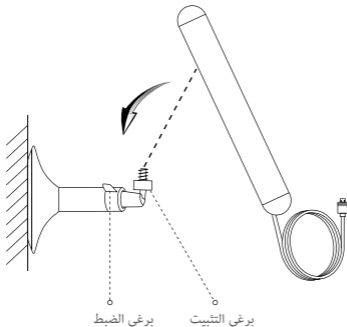
- (بالنسبة للجدار/السقف الخرساني فقط) احفر ثقبًا ملولبة وأدخل ثلاثة خطاطيف.
- استخدم ثلاثة براغي لتثبيت الكتيفة.



2

تركيب لوحة الطاقة الشمسية

- قم بتركيب لوحة الطاقة الشمسية على الكتيفة.
- اربط برغي التثبيت.

**3**

ضبط الزاوية

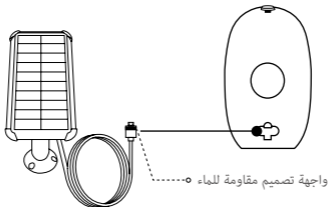
- قم بفك برغي الضبط.
- اضبط زاوية لوحة الطاقة الشمسية حسب مكانك المفضل.
- اربط برغي الضبط عندما تكون لوحة الطاقة الشمسية في الموضع المطلوب.

تأكد من أن لوحة الطاقة الشمسية تتلقى أقصى إشعاع شمسي.



4

تغيير الكاميرا التي تعمل بالبطارية
- قم بتوصيلها بالكاميرا التي تعمل بالبطارية.



EG

للحصول على معلومات مفصلة، يُرجى زيارة www.ezvizlife.com.



LIMITED WARRANTY

Thank you for purchasing Hangzhou EZVIZ Software Co., Ltd. ("EZVIZ") products. This limited warranty ("warranty") gives you, the original purchaser of the EZVIZ product, specific legal rights. You may also have other legal rights that vary by state, province or jurisdiction. This warranty applies only to the original purchaser of the product. "Original purchaser" means any consumer having purchased the EZVIZ product from an authorized seller. The disclaimers, exclusions, and limitations of liability under this warranty will not apply to the extent prohibited by applicable law. No distributor, reseller, agent, or employee is authorized to make any modification, extension, or addition to this warranty.

Your EZVIZ product is warranted for a period of one (1) year from the date of purchase against defects in materials and workmanship, or such longer period as may be required by law in the country or state where this product is sold, when used normally in accordance with user manual.

You can request warranty service by contacting our Customer Service.

For any defective EZVIZ products under warranty, EZVIZ will, at its option, (i) repair or replace your product free of charge; (ii) exchange your product with a functional equivalent product; or (iii) refund the original purchase price, provided you provide the original purchase receipt or copy, a brief explanation of the defect, and return the product in its original packaging. At EZVIZ's sole discretion, repair or replacement may be made with a new or refurbished product or components. This warranty does not cover the shipping cost, insurance, or any other incidental charges incurred by you in returning the product.

Except where prohibited by applicable law, this is your sole and exclusive remedy for breach of this warranty. Any product that has either been repaired or replaced under this warranty will be covered by the terms of this warranty for the longer of ninety (90) days from the date of delivery or the remaining original warranty period.

This warranty does not apply and is void:

- If the warranty claim is made outside the warranty period or if the proof of purchase is not provided;
- For any malfunction, defect, or failure caused by or resulting from the evidence of impact; mishandling; tampering; use contrary to the applicable instruction manual; incorrect power line voltage; accident; loss; theft; fire; flood; or other Acts of God; shipping damage; or damage resulting from repairs performed by unauthorized personnel;
- For any consumable parts, such as batteries, where the malfunction is due to the normal aging of the product;
- Cosmetic damage, including but not limited to scratches, dents, and broken plastic on ports;
- Any software, even if packaged or sold with EZVIZ hardware;
- For any other damages free from defects in material or workmanship;
- Routine cleaning, normal cosmetic, and mechanical wear and tear.

DISCLAIMER OF WARRANTIES

EXCEPT AS STATED ABOVE IN THIS WARRANTY, AND TO THE MAXIMUM EXTENT PERMITTED BY APPLICABLE LAW, EZVIZ DISCLAIMS ALL EXPRESS, IMPLIED, AND STATUTORY WARRANTIES AND CONDITIONS WITH RESPECT TO THE PRODUCT, INCLUDING THE IMPLIED WARRANTIES OF MERCHANTABILITY AND FITNESS FOR A PARTICULAR PURPOSE, THE DURATION OF ANY APPLICABLE IMPLIED WARRANTIES OR CONDITIONS TO THE DURATION OF THIS WARRANTY, THE SECURITY OF THE PRODUCT, OR AVAILABILITY AND RELIABILITY OF PRODUCT INFORMATION OR DATA.

NOTE: SOME STATES OR JURISDICTIONS DO NOT ALLOW LIMITATIONS ON HOW LONG AN IMPLIED WARRANTY LASTS, SO THE ABOVE LIMITATION MAY NOT APPLY TO YOU.

LIMITATION OF DAMAGES

IN NO EVENT WILL EZVIZ BE LIABLE FOR ANY CONSEQUENTIAL, INCIDENTAL, EXEMPLARY, OR SPECIAL DAMAGES, INCLUDING ANY DAMAGES FOR LOST DATA OR LOST PROFITS, ARISING FROM OR RELATING TO THIS WARRANTY OR THE PRODUCT, AND EZVIZ'S TOTAL CUMULATIVE LIABILITY ARISING FROM OR RELATED TO THIS WARRANTY OR THE PRODUCT WILL NOT EXCEED THE AMOUNT ACTUALLY PAID FOR THE PRODUCT BY THE ORIGINAL PURCHASER.

NOTE: SOME STATES OR JURISDICTIONS DO NOT ALLOW THE EXCLUSION OR LIMITATION OF INCIDENTAL OR CONSEQUENTIAL DAMAGES, SO THE ABOVE LIMITATION OR EXCLUSION MAY NOT APPLY TO YOU.

LIMITATION OF LIABILITY

ALL PRODUCT INFORMATION AND DATA IS PROVIDED FOR YOUR CONVENIENCE, "AS IS", AND "AS AVAILABLE." EZVIZ DOES NOT REPRESENT, WARRANT, OR GUARANTEE THAT PRODUCT INFORMATION AND DATA WILL BE AVAILABLE, ACCURATE, OR RELIABLE OR THAT PRODUCT INFORMATION AND DATA OR USE OF THE PRODUCT WILL PROVIDE SAFETY IN YOUR HOME. YOU USE ALL PRODUCT INFORMATION, DATA, AND THE PRODUCT AT YOUR OWN DISCRETION AND RISK. YOU WILL BE SOLELY RESPONSIBLE FOR (AND EZVIZ DISCLAIMS) ANY AND ALL LOSS, LIABILITY, OR DAMAGES, INCLUDING TO YOUR WIRING, FIXTURES, ELECTRICITY, HOME, PRODUCT, PRODUCT PERIPHERALS, COMPUTER, MOBILE DEVICE, AND ALL OTHER ITEMS AND PETS, RESULTING FROM YOUR USE OF THE PRODUCT INFORMATION, DATA, OR PRODUCT. PRODUCT INFORMATION AND DATA PROVIDED BY EZVIZ IS NOT INTENDED AS A SUBSTITUTE FOR DIRECT MEANS OF OBTAINING THE INFORMATION. FOR EXAMPLE, A NOTIFICATION PROVIDED THROUGH THE PRODUCT IS NOT INTENDED AS A SUBSTITUTE FOR AUDIBLE AND VISIBLE INDICATIONS IN THE HOME AND ON THE PRODUCT, NOR FOR A THIRD PARTY MONITORING SERVICE.

Please do not hesitate to contact your seller or our Customer Service, with any questions.

GARANTIE LIMITÉE

Merci d'avoir acheté ce produit fabriqué par Hangzhou EZVZ Software Co., Ltd. (« EZVZ »). La présente garantie limitée (« garantie » vous octroie, en tant qu'acheteur original du produit EZVZ, des droits légaux spécifiques. Vous pouvez également faire valoir d'autres droits légaux, qui varient d'un État, d'une province ou d'une juridiction à l'autre. La présente garantie couvre uniquement l'acheteur original du produit. « Acheteur original » désigne tout consommateur ayant acheté le produit EZVZ auprès d'un distributeur agréé. Les avis de non-responsabilité, les exclusions et les limitations de responsabilité au titre de la présente garantie ne s'appliquent pas dans la mesure où les lois en vigueur l'interdisent. Aucun distributeur, revendeur, agent ou employé n'est autorisé à effectuer des modifications, des extensions ou des ajouts à la présente garantie.

Votre produit EZVZ est couvert par la garantie pour une période d'un (1) an à compter de la date d'achat, contre les défauts matériels et de main-d'œuvre, ou durant une période plus longue telle que pourrait l'exiger la loi de l'État ou du pays où le produit est vendu, en cas d'utilisation normale de celui-ci conformément au manuel d'utilisation.

Vous pouvez solliciter le service de garantie en contactant notre service client.

Pour tout produit EZVZ défectueux couvert par la garantie, EZVZ pourra, à sa discrétion, (i) le réparer ou le remplacer gratuitement, (ii) l'échanger contre un autre produit équivalent fonctionnel ou (iii) vous rembourser son prix d'achat initial, sous réserve de la fourniture de la facture d'achat originale ou d'une copie de celle-ci accompagnée d'une brève explication du défaut, et du renvoi du produit dans son emballage d'origine. À la totale discrétion d'EZVZ, la réparation ou le remplacement d'un produit peut se faire avec un produit ou des composants neufs ou remis à neuf. La présente garantie ne couvre pas le coût d'expédition, l'assurance ou tous autres frais accessoires pris en charge par vos soins lors du retour du produit.

Sauf si la loi l'interdit, la mesure ci-dessous constitue votre recours exclusif en cas de violation de la présente garantie. Tout produit qui a été réparé ou remplacé en vertu de la présente garantie sera couvert par les termes de la présente garantie pour une période de quatre-vingt-dix (90) jours à compter de la date de livraison au client ou pour la période de garantie originale restante.

La présente garantie ne s'applique pas et est nulle dans les cas ci-dessous :

- la réclamation au titre de la garantie est faite hors la période de garantie ou si la preuve d'achat n'est pas fournie ;
- tout dysfonctionnement, défectuosité ou panne causé par un impact, une mauvaise manipulation, une altération, une utilisation en violation du manuel d'utilisation en vigueur, une mauvaise tension d'alimentation, un accident, une perte, un vol, un incendie, une inondation, un cas de force majeure, un dommage lié à l'expédition ou un dommage lié aux réparations effectuées par un technicien non agréé, ou résultant de l'une des causes ci-dessous ;
- les consommables, par exemple les batteries, dont le dysfonctionnement est dû au vieillissement normal du produit ;
- les dommages cosmétiques, y compris, mais sans s'y limiter, les égratignures, les bosses et le décoloration des pièces en plastique gommant les ports ;
- les logiciels, y compris ceux emballés ou vendus avec le matériel EZVZ ;
- tout autre dommage que les dommages liés aux défauts matériels ou de main-d'œuvre ;
- l'usure liée au nettoyage de routine, l'usure cosmétique normale et l'usure mécanique.

EXCLUSIONS DE GARANTIES

À L'EXCEPTION DES CAS PRÉVUS CI-DESSUS DANS LA PRÉSENTE GARANTIE, ET DANS LES LIMITES AUTORISÉES PAR LA LOI EN VIGUEUR, EZVZ DÉCLINE TOUTE GARANTIE ET CONDITION EXPRESSE, IMPLICITE OU LÉGALE RELATIVE AU PRODUIT, Y COMPRIS LES GARANTIES IMPLICITES DE VALEUR MARCHANDE, D'ADÉQUATION À UNE UTILISATION PARTICULIÈRE, DE DURÉE DE TOUTE GARANTIE OU CONDITION IMPLICITE APPLICABLE PAR RAPPORT À LA DURÉE DE LA PRÉSENTE GARANTIE, DE SÉCURITÉ DU PRODUIT OU DE DISPONIBILITÉ ET DE FIABILITÉ DES INFORMATIONS OU DES DONNÉES RELATIVES AU PRODUIT.

REMARQUE : SI VOUS RÉSIDEZ DANS UN ÉTAT OU UNE JURIDICTION N'AUTORISANT PAS DE LIMITES SUR LA DURÉE DE LA GARANTIE IMPLICITE, LA LIMITE CI-DESSUS NE S'APPLIQUE PAS À VOUS.

LIMITES DE DOMMAGES

EZVZ NE SAURAIT EN AUCUN CAS ÊTRE TENUE POUR RESPONSABLE DE TOUT DOMMAGE CONSÉCUTIF, ACCIDENTEL, EXEMPLAIRE OU SPÉCIAL, Y COMPRIS EN CAS DE DOMMAGES DE PERTE DE DONNÉES OU DE PROFIT, DÉCOULANT DE LA PRÉSENTE GARANTIE OU DU PRODUIT. LA RESPONSABILITÉ TOTALE CUMULÉE D'EZVZ AU TITRE DE LA PRÉSENTE GARANTIE OU DU PRODUIT NE PEUT PAS ÊTRE SUPÉRIEURE AU MONTANT EFFECTIVEMENT PAYÉ POUR LE PRODUIT PAR L'ACHETEUR INITIAL.

REMARQUE : SI VOUS RÉSIDEZ DANS UN ÉTAT OU UNE JURIDICTION N'AUTORISANT PAS D'EXCLUSIONS OU DE LIMITES SUR LES DOMMAGES ACCIDENTELS OU CONSÉCUTIFS, LA LIMITE OU L'EXCLUSION CI-DESSUS NE S'APPLIQUE PAS À VOUS.

LIMITATION DE RESPONSABILITÉ

TOUTES LES INFORMATIONS ET DONNÉES RELATIVES AU PRODUIT CONTENUES DANS LE PRÉSENT DOCUMENT SONT FOURNIES À DES FINS DE COMMODITÉ, « EN L'ÉTAT » ET « SELON LEUR DISPONIBILITÉ ». EZVZ NE DÉCLARE NI NE GARANTIT QUE LES INFORMATIONS ET DONNÉES RELATIVES AU PRODUIT SERONT DISPONIBLES, EXACTES OU FIABLES NI QUE LES INFORMATIONS ET DONNÉES RELATIVES AU PRODUIT OU L'UTILISATION DU PRODUIT GARANTIRONT LA SÉCURITÉ DE VOTRE DOMICILE. VOUS UTILISEZ LES INFORMATIONS ET DONNÉES RELATIVES AU PRODUIT ET LE PRODUIT SELON VOTRE PROPRE VOLONTÉ ET À VOS PROPRES RISQUES. VOUS ASSUMEZ L'ENTière RESPONSABILITÉ (ET EZVZ NE SAURAIT ÊTRE TENUE POUR RESPONSABLE EN LA MATIÈRE) EN CE QUI CONCERNE LES PERTES, LES RESPONSABILITÉS OU LES DOMMAGES, Y COMPRIS À VOTRE CÂBLAGE, À VOS ACCESSOIRES, À VOS INSTALLATIONS ÉLECTRIQUES, À VOTRE DOMICILE, À VOTRE PRODUIT, À VOS PÉRIPHÉRIQUES DE PRODUIT, À VOS ORDINATEURS, À VOS PORTABLES ET À TOUT AUTRE ANIMAL DOMESTIQUE OU OBJET, RÉSULTANT DE L'UTILISATION DU PRODUIT OU DES INFORMATIONS ET DONNÉES RELATIVES AU PRODUIT. LES INFORMATIONS ET DONNÉES RELATIVES AU PRODUIT FOURNIES PAR EZVZ NE SONT PAS DESTINÉES À REMPLACER LES MOYENS DIRECTS D'OBTENTION DES INFORMATIONS. PAR EXEMPLE UNE NOTIFICATION FOURNIE PAR LE PRODUIT NE SAURAIT REMPLACER LES INDICATIONS AUDIBLES ET VISIBLES DANS VOTRE DOMICILE ET SUR VOTRE PRODUIT NI UN SERVICE DE SURVEILLANCE TIERS.

Si vous avez des questions, n'hésitez pas à contacter votre distributeur ou notre service client.

GARANTÍA LIMITADA

Gracias por comprar productos de Hangzhou EZVIZ Software Co., Ltd. ("EZVIZ"). Esta garantía limitada ("garantía") le otorga a usted, comprador original del producto EZVIZ, derechos legales específicos. Quizá disponga de otros derechos legales según la región, provincia o jurisdicción. Esta garantía se aplica exclusivamente al comprador original del producto. Por "comprador original" se entiende cualquier consumidor que haya comprado el producto EZVIZ a un vendedor autorizado. Las renunciaciones, exclusiones o limitaciones de responsabilidad bajo esta garantía no se aplicarán en la medida prohibida por la legislación vigente. Ningún distribuidor, vendedor, agente o empleado está autorizado a hacer modificaciones, extensiones o adiciones a esta garantía.

Su producto EZVIZ tiene garantía, que cubre defectos de materiales y fabricación, por un periodo de (1) año desde la fecha de la compra o por un periodo mayor según lo requiera la legislación en el país o región donde se venda este producto, siempre que se utilice tal y como se indica en el manual de usuario.

Puede solicitar el servicio de garantía poniéndose en contacto con nuestro Servicio al Cliente.

Ante cualquier producto EZVIZ defectuoso, EZVIZ decidirá si: (i) reparar o reemplazar su producto sin gasto alguno; (ii) cambiar su producto por un producto funcional equivalente; o (iii) devolver el dinero original de la compra, siempre que nos facilite el recibo de compra original, una breve explicación del defecto y devuelva el producto en su embalaje original. Según considere EZVIZ, la reparación o reemplazo puede realizarse con un producto o componente nuevo o reacondicionado. Esta garantía no cubre los gastos de envío, seguro ni ningún otro gastos secundarios en los que usted pueda incurrir al devolver el producto.

A menos que lo prohíba la legislación vigente, este es su recurso único y exclusivo por incumplimiento de esta garantía. Cualquier producto que haya sido reparado o reemplazado bajo esta garantía quedará cubierto por los términos de esta garantía por un máximo de (90) días desde el día de envío o por el periodo de garantía original restante.

Esta garantía no se aplica y quedará anulada:

- Si el derecho a la garantía se ejerce fuera del periodo de la garantía o si no se proporciona ninguna prueba de compra;
- Por cualquier avería, defecto o fallo provocado o que resulte de algún impacto; uso incorrecto; manipulación; uso contrario a lo indicado en el manual de instrucciones; tensión de alimentación incorrecta; accidente; pérdida; robo; incendio; inundación; u otros casos fortuitos; daños de envío; o daños que resulten de reparaciones realizadas por personal no autorizado;
- Para los elementos consumibles, tales como baterías, ya que el mal funcionamiento se debe al paso del tiempo del producto;
- Daños superficiales incluyendo, entre otros: rasguños, abolladuras y plásticos rotos en los puertos;
- Cualquier software, aunque esté embalado o se venda junto a hardware de EZVIZ;
- Por cualquier otro daño que no sea por defectos en el material o de su fabricación;
- Limpieza rutinaria, daños superficiales normales y desgastes mecánicos.

RENUNCIACIÓN DE GARANTÍA

SALVO LO INDICADO EN ESTA GARANTÍA Y EN LA MEDIDA PERMITIDA POR LA LEGISLACIÓN, EZVIZ DECLINA TODO TIPO DE GARANTÍAS Y CONDICIONES EXPLÍCITAS, IMPLÍCITAS Y ESTADUTARIAS EN RELACIÓN CON EL PRODUCTO, INCLUIDAS LAS GARANTÍAS DE COMERCIABILIDAD IMPLÍCITAS Y DE ADECUACIÓN A UN PROPOSITO ESPECÍFICO. LA DURACIÓN DE CUALQUIER GARANTÍA O CONDICIÓN IMPLÍCITA APLICABLE A LA DURACIÓN DE ESTA GARANTÍA. LA SEGURIDAD DEL PRODUCTO, O LA DISPONIBILIDAD Y FIABILIDAD DE LA INFORMACIÓN DEL PRODUCTO.

NOTA: ALGUNAS REGIONES O JURISDICCIONES NO PERMITEN LIMITACIONES SOBRE LA DURACIÓN DE LA GARANTÍA IMPLÍCITA, DE MODO QUE LAS LIMITACIONES ANTERIORES PODRÍAN NO APLICARSE A USTED.

LIMITACIÓN DE DAÑOS

EN NINGÚN CASO EZVIZ SERÁ RESPONSABLE POR NINGÚN DAÑO INDIRECTO, RELACIONADO, EJEMPLAR O ESPECIAL, INCLUIDOS LOS DAÑOS POR PÉRDIDA DE DATOS O PÉRDIDA DE BENEFICIOS, QUE SURJA O ESTÉ RELACIONADO CON ESTA GARANTÍA O EL PRODUCTO, Y LA RESPONSABILIDAD MÁXIMA DE EZVIZ RESULTANTE O RELACIONADA CON ESTA GARANTÍA O EL PRODUCTO NO SUPERARÁ LA CANTIDAD PAGADA POR EL PRODUCTO POR EL COMPRADOR ORIGINAL.

NOTA: ALGUNAS REGIONES O JURISDICCIONES NO PERMITEN LA EXCLUSIÓN O LIMITACIÓN DE DAÑOS SECUNDARIOS O INDIRECTOS, DE MODO QUE LAS LIMITACIONES Y EXCLUSIONES ANTERIORES PODRÍAN NO APLICARSE A USTED.

LIMITACIÓN DE RESPONSABILIDAD

TODA LA INFORMACIÓN DEL PRODUCTO SE LE PROPORCIONA PARA SU COMODIDAD "COMO ESTÁ" Y "SEGÚN DISPONIBILIDAD". EZVIZ NO ASEGURA NI GARANTIZA QUE LA INFORMACIÓN DEL PRODUCTO ESTÉ DISPONIBLE O SEA EXACTA Y FIABLE O QUE LA INFORMACIÓN DEL PRODUCTO O USO DEL PRODUCTO SEA SEGURO EN SU HOGAR. USTED UTILIZARÁ LA INFORMACIÓN DEL PRODUCTO Y EL PRODUCTO POR SU PROPIA CUENTA Y RIESGO. SOLO USTED (Y EZVIZ DECLINA) SERÁ RESPONSABLE DE CUALQUIER OBLIGACIÓN, DAÑO O PÉRDIDA, INCLUYENDO LA INSTALACIÓN ELÉCTRICA, MUEBLES, ELECTRICIDAD, HOGAR, PRODUCTO, PERIFÉRICOS DEL PRODUCTO, ORDENADOR, DISPOSITIVO MÓVIL, Y CUALQUIER OTRO ELEMENTO Y MASCOTAS, RESULTANTES DE LA UTILIZACIÓN DEL PRODUCTO O LA INFORMACIÓN DEL PRODUCTO POR SU PARTE. LA INFORMACIÓN DEL PRODUCTO PROPORCIONADA POR EZVIZ NO TIENE POR OBJETO SUSTITUIR OTROS MÉTODOS DIRECTOS DE OBTENER LA INFORMACIÓN. POR EJEMPLO, UNA NOTIFICACIÓN PROPORCIONADA MEDIANTE EL PRODUCTO NO TIENE POR OBJETO SUSTITUIR LAS INDICACIONES AUDIBLES Y VISIBLES DEL HOGAR Y DEL PRODUCTO. NI TAMPOCO UN SERVICIO DE CONTROL DE TERCEROS.

No dude en ponerse en contacto con su vendedor o con nuestro Servicio al Cliente si tiene alguna duda.

ОГРАНИЧЕННАЯ ГАРАНТИЯ

Благодарим Вас за покупку продукции EZVIZ (Hangzhou EZVIZ Software Co., Ltd.). Эта ограниченная гарантия («гарантия») дает Вам как покупателю продукта EZVIZ определенные юридические права. Вы также можете иметь другие юридические права, которые определяются законами государства, провинции или юрисдикцией. Данная гарантия распространяется только на первоначального покупателя продукта. Термин «первоначальный покупатель» означает любого потребителя, купившего продукт EZVIZ у авторизованного продавца. Отказ от ответственности, исключения и ограничения ответственности в соответствии с данной гарантией не действительны в случае, если они противоречат действующему законодательству. Ни дистрибьютор, ни дилер, ни агент, ни сотрудник не имеют права вносить какие-либо изменения или дополнения к данной гарантии.

На Ваш продукт EZVIZ дается гарантия на дефекты материалов и изготовления сроком на 1 (один) год с момента покупки или на более длительный период, согласно законодательству государства, где продается этот продукт, при условии правильного использования в соответствии с руководством пользователя.

Вы можете запросить гарантийное обслуживание, обратившись в нашу службу поддержки.

В случае неисправности продуктов EZVIZ, на которые распространяется гарантия, компания EZVIZ производит по своему выбору (i) бесплатный ремонт или замену продукта; (ii) обмен продукта на функционально эквивалентный; (iii) возврат первоначальной стоимости при условии, что Вы предоставите оригинал или копию чека, краткое описание неисправности, а также вернете продукт в его оригинальной упаковке. На усмотрение компании EZVIZ может производиться ремонт или замена на новый или отремонтированный в заводских условиях продукт или его компонент. Данная гарантия не распространяется на почтовые расходы, страховку и любые другие непредвиденные расходы, понесенные Вами в связи с возвратом продукта.

За исключением случаев, запрещенных законодательством, этот документ является Вашим единственным и исключительным средством судебной защиты в случае нарушения Ваших прав, закрепленных в данной гарантии. К любому продукту, который был отремонтирован или заменен по данной гарантии, применимы гарантийные условия в течение 90 (девяноста) дней с момента поставки или оставшегося первоначального гарантийного срока.

Данная гарантия не применяется и является действительной:

- в случае подачи заявки на гарантийный ремонт по истечении гарантийного срока или отсутствия доказательства факта покупки;
- в случае неисправностей, дефектов или поломок, вызванных или вытекающих из подверженного воздействию, неправильного использования, постороннего вмешательства, нарушения инструкций по эксплуатации; или при неправильном напряжении сети, аварии, утере, краже, пожаре, наводнении или иных стихийных бедствиях, повреждениях во время транспортировки или ущербе, нанесенными в результате ремонта, выполненного неуполномоченными лицами.
- в отношении любых расходных частей, таких как батарейки, когда неисправность происходит из-за естественного старения продукта.
- При косметических повреждениях, в том числе при царапинах, вмятинах и сломанном пластике на портах.
- в отношении любого программного обеспечения, даже если оно было упаковано или продано вместе с оборудованием EZVIZ.
- в отношении любых других повреждений, не связанных с дефектами материала или изготовления.
- в отношении плановой чистки, нормального косметического и механического износа.

ОТКАЗ ОТ ГАРАНТИИ

ЗА ИСКЛЮЧЕНИЕМ СЛУЧАЕВ, УКАЗАННЫХ ВЫШЕ В ДАННОЙ ГАРАНТИИ, И В МАКСИМАЛЬНОЙ СТЕПЕНИ, ДОПУСКАЕМОЙ ПРИМЕНИМЫМ ЗАКОНОДАТЕЛЬСТВОМ, КОМПАНИЯ EZVIZ ОТКАЗЫВАЕТСЯ ОТ ВСЕХ ЯВНЫХ, ПОДРАЗУМЕВАЕМЫХ И ИМПЛИЦИТНЫХ ГАРАНТИЙ И УСЛОВИЙ В ОТНОШЕНИИ ПРОДУКТА, ВКЛЮЧАЯ ПОДРАЗУМЕВАЕМЫЕ ГАРАНТИИ ТОВАРНОГО КАЧЕСТВА ПРОДУКТА И ЕГО ПРИГОДНОСТИ ДЛЯ ОПРЕДЕЛЕННОЙ ЦЕЛИ, ДЛИТЕЛЬНОСТИ ЛЮБЫХ ПРИМЕНИМЫХ ПОДРАЗУМЕВАЕМЫХ ГАРАНТИЙ ИЛИ УСЛОВИЯ СРОКА ДЕЙСТВИЯ ДАННОЙ ГАРАНТИИ, БЕЗОПАСНОСТЬ ПРОДУКТА, НАЛИЧИЕ И ДОСТОВЕРНОСТЬ ИНФОРМАЦИИ О ПРОДУКЦИИ.

ПРИМЕЧАНИЕ: НЕКОТОРЫЕ ГОСУДАРСТВА ИЛИ ЮРИСДИКЦИИ НЕ ДОПУСКАЮТ ОГРАНИЧЕНИЯ СРОКА ДЕЙСТВИЯ ПОДРАЗУМЕВАЕМОЙ ОГРАНИЧЕННОЙ ГАРАНТИИ, ПОЭТОМУ ВЫШЕУКАЗАННОЕ ОГРАНИЧЕНИЕ МОЖЕТ НЕ РАСПРОСТРАНЯТЬСЯ НА ВАС.

ОГРАНИЧЕНИЕ УЩЕРБА

НИ ПРИ КАКИХ ОБСТОЯТЕЛЬСТВАХ КОМПАНИЯ EZVIZ НЕ НЕСЕТ ОТВЕТСТВЕННОСТИ ЗА ЛЮБЫЕ КОСВЕННЫЕ, СЛУЧАЙНЫЕ, ШТРАФНЫЕ ИЛИ СПЕЦИАЛЬНЫЕ УБЫТКИ, ВКЛЮЧАЯ УЩЕРБ В СВЯЗИ С ПОТЕРЕЙ ДАННЫХ ИЛИ ПОТЕРЕЙ ПРИБЫЛИ, ВОЗНИКАЮЩЕЙ ИЗ ИЛИ В СВЯЗИ С ДАННОЙ ГАРАНТИЕЙ ИЛИ ИСПОЛЬЗОВАНИЕМ ПРОДУКТА. СОВОКУПНАЯ ОТВЕТСТВЕННОСТЬ КОМПАНИИ EZVIZ, ВЫТЕКАЮЩАЯ ИЗ ИЛИ В СВЯЗИ С УСЛОВИЯМИ ДАННОЙ ГАРАНТИИ ИЛИ ИСПОЛЬЗОВАНИЕМ ПРОДУКТА, НЕ ПРЕВЫСИТ СУММУ, ФАКТИЧЕСКИ УПЛАЧЕННУЮ ЗА ПРОДУКТ ПЕРВОНАЧАЛЬНЫМ ПОКУПАТЕЛЕМ.

ПРИМЕЧАНИЕ: НЕКОТОРЫЕ ГОСУДАРСТВА ИЛИ ЮРИСДИКЦИИ НЕ ДОПУСКАЮТ ИСКЛЮЧЕНИЯ ИЛИ ОГРАНИЧЕНИЯ ОТВЕТСТВЕННОСТИ ЗА СЛУЧАЙНЫЙ ИЛИ КОСВЕННЫЙ УЩЕРБ, ПОЭТОМУ ВЫШЕУКАЗАННОЕ ОГРАНИЧЕНИЕ МОЖЕТ НЕ РАСПРОСТРАНЯТЬСЯ НА ВАС.

ПРЕДЕЛЫ ОТВЕТСТВЕННОСТИ

ВСЕ СВЕДЕНИЯ И ИНФОРМАЦИЯ О ПРОДУКТЕ ПРИВОДЯТСЯ ДЛЯ ВАШЕГО УДОБСТВА В ФОРМАТЕ «КАК ЕСТЬ» И «КАК ДОСТУПНО». КОМПАНИЯ EZVIZ НЕ ЗАЯВЛЯЕТ И НЕ ГАРАНТИРУЕТ, ЧТО СВЕДЕНИЯ И ИНФОРМАЦИЯ О ПРОДУКТЕ БУДУТ ДОСТУПНЫ, ТОЧНЫ И НАДЕЖНЫ ИЛИ ЧТО СВЕДЕНИЯ И ИНФОРМАЦИЯ О ПРОДУКТЕ ИЛИ ЕГО ИСПОЛЬЗОВАНИЕ ОБЕСПЕЧИТ БЕЗОПАСНОСТЬ В ВАШЕМ ДОМЕ. ВЫ ИСПОЛЬЗУЕТЕ ВСЕ СВЕДЕНИЯ И ИНФОРМАЦИЮ О ПРОДУКТЕ, А ТАКЖЕ САМ ПРОДУКТ ПО СОБСТВЕННОМУ УМОТРОЕНИЮ И НА СВОЙ РИСК. ВЫ НЕСЕТЕ ПОЛНУЮ ОТВЕТСТВЕННОСТЬ (КОМПАНИЯ EZVIZ НЕ НЕСЕТ ОТВЕТСТВЕННОСТИ) ЗА ВСЕ ВОЗМОЖНЫЕ УБЫТКИ, ОБЯЗАТЕЛЬСТВА ИЛИ УЩЕРБ, ПРИЧИНЕННЫЕ В ТОМ ЧИСЛЕ ПРОВОДКЕ, ОТВЕТСТВЕННОМУ ОБОРУДОВАНИЮ, ЭЛЕКТРОСИСТЕМЕ, ДОМУ, ПРОДУКТУ, ПЕРИФЕРИЙНЫМ УСТРОЙСТВАМ ПРОДУКТА, КОМПЬЮТЕРУ, МОБИЛЬНЫМ УСТРОЙСТВАМ И ВСЕМ ДРУГИМ ПРЕДМЕТАМ, ДОМАШНИМ ЖИВОТНЫМ, КОТОРЫЕ БЫЛИ ПОЛУЧЕНЫ В РЕЗУЛЬТАТЕ ИСПОЛЬЗОВАНИЯ СВЕДЕНИЙ И ИНФОРМАЦИИ О ПРОДУКТЕ, А ТАКЖЕ САМОГО ПРОДУКТА. СВЕДЕНИЯ И ИНФОРМАЦИЯ О ПРОДУКТЕ, ПРЕДОСТАВЛЯЕМЫЕ КОМПАНИЕЙ, НЕ МОГУТ СЛУЖИТЬ ЗАМЕНОЙ ПРЯМЫМ СПОСОБОМ ПОЛУЧЕНИЯ ИНФОРМАЦИИ. К ПРИМЕРУ, НИ ДЛЯ ПОЛЬЗОВАТЕЛЯ, НИ ДЛЯ СТОРОННЕЙ СЛУЖБЫ НАБЛЮДЕНИЯ УВЕДОМЛЕНИЕ, ОТПРАВЛЯЕМОЕ ПОСРЕДСТВОМ ПРОДУКТА, НЕ МОЖЕТ СЛУЖИТЬ ЗАМЕНОЙ ЗВУКОВЫМ И ВИЗУАЛЬНЫМ СИГНАЛАМ, ИСХОДЯЩИМ ОТ ДОМА И САМОГО ПРОДУКТА.

При возникновении любых вопросов обращайтесь к продавцу или в нашу службу поддержки.

SINIRLI GARANTİ

Hangzhou EZVIZ Software Co., Ltd. ("EZVIZ") ürünlerini satın aldığınız için teşekkür ederiz. Bu sınırlı garanti ("garanti") size, EZVIZ ürününün orijinal alıcısına, belirli yasal haklar vermektedir. Ayrıca eyalet, şehir veya hükümete göre değişen başka yasal haklarınız da olabilir. Bu garanti yalnızca ürünün orijinal alıcısı için geçerlidir. "Orijinal alıcı" EZVIZ ürününü yetkili satıcıdan satın alan herhangi bir tüketici anlamına gelir. Bu garanti kapsamında sorumluluk reddi, istisnalar ve sorumluluk sınırlamaları, geçerli yasalardan yasakladığı ölçüde geçerli olmayacaktır. Bu garantide herhangi bir değişiklik, uzatma veya ekleme yapma konusunda hiçbir distribütör, satıcı, temsilci veya çalışan yetkili değildir.

EZVIZ ürününüz, satın alma tarihinden itibaren malzeme ve işçilik hatalarına karşı kullanım kılavuzuna uygun normal bir şekilde kullanıldığında bir (1) yıl veya bu ürünün satıldığı ülke veya eyalette yasalardan gerektirdiği daha uzun bir süre garanti kapsamındadır.

Müşteri Hizmetlerimizle irtibata geçerek garanti hizmeti talep edebilirsiniz.

Garanti kapsamındaki tüm kusurlu EZVIZ ürünleri için EZVIZ kendi tercihinine bağlı olarak (i) ürününüzü ücretsiz olarak onaracak veya değiştirecek, (ii) ürününüzü işlevsel olarak eşdeğer bir ürünle değiştirecek veya (iii) orijinal satın alma makbuzunu veya kopyasını, kusurun kısa bir açıklamasını ve orijinal ambalajında ürün iade etmeniz koşuluyla, orijinal satın alma fiyatını iade edecektir. EZVIZ'in tamamen kendi takdirine bağlı olarak tamir veya değiştirme yeni veya yenilenmiş bir ürün veya bileşenlerle yapılabilir. Bu garanti, nakliye bedelini, sigortayı veya ürünün iadesinde tarafınızdan yapılan diğer olası masrafları kapsamaz.

Bu, geçerli yasalardan yasakladığı durumlar dışında, bu garantinin ihlalinin tek ve münhasır çözümüdür. Bu garanti kapsamında onarılmış veya değiştirilmiş olan herhangi bir ürün, teslim tarihinden itibaren doksan (90) gün veya geri kalan orijinal garanti süresince bu garantinin koşullarına tabidir.

Bu garanti aşağıdaki durumlarda geçerli değildir ve hükümsüzdür:

- Garanti talebinin garanti süresi dışında yapılması veya satın alma belgesinin sağlanmaması durumunda;
- Hatalı kullanım, darbe, kurcalama sonucu meydana gelen herhangi bir kusurlu çalışma, bozukluk veya arızada; geçerli kullanım kılavuzuna aykırı herhangi bir kullanımda, hatalı güç hattı voltajında, kaza, kayıp, çalınma, yangın, sel veya diğer doğal afetlerde, kargo hasarında veya yetkisiz personel tarafından yapılan onarımlardan kaynaklanan hasarlarda,
- Arızanın, ürünün normal eskimesine bağlı olduğu pil gibi sarf malzemesi parçalarında;
- Çizikler, çökmeler ve kırılmış plastikler dahil ancak bunlarla sınırlı olmamak üzere bağlantı noktalarının üzerindeki kozmetik hasarlarda;
- EZVIZ donanımıyla birlikte paketlenmiş veya satılmış olsa bile herhangi bir yazılımda;
- Malzeme veya işçilik kusurları hariç diğer zararlarda;
- Rutin temizlik, normal yüzeysel ve mekanik aşınma ve yıpranmada.

GARANTİNİN REDDİ

BU GARANTİDE YUKARIDA BELİRTİLEN VE GEÇERLİ YASALARDA BELİRTİLEN MAKSİMUM ÖLÇÜLER DİŞİNDE, BELİRLİ BİR AMAÇ İÇİN SATILABİLİRLİK VE UYGUNLUK ZİMİNİ GARANTİLERİ, BU GARANTİNİN SÜRESİ İÇİN GEÇERLİ ZİMİNİ GARANTİ VEYA KOŞULLARIN SÜRESİ, ÜRÜN GÜVENLİĞİ, ÜRÜN BİLGİSİ VEYA VERİLERİNİN KULLANILABİLİRLİĞİ VE GÜVENİLİRLİĞİ DE DAHİL, EZVİZ, ÜRÜNLE İLGİLİ TÜM AÇIK, ZİMİNİ VE YASAL GARANTİLERİ VE KOŞULLARI REDDEDEDİ.

NOT: BAZI DEVLETLER VEYA HÜKÜMETLER, ZİMİNİ BİR GARANTİNİN NE KADAR SÜRDÜĞÜ KONUSUNDA SINIRLAMALARA İZİN VERMEZ, BU NEDENLE YUKARIDAKI SINIRLAMA SİZİN İÇİN GEÇERLİ OLMAYABİLİR.

HASAR SINIRLAMASI

EZVİZ HİÇBİR DURUMDA, BU GARANTİ VEYA ÜRÜNDENDEN KAYNAKLANAN KAYIP VERİLER VEYA KAYIP KÂRLAR İÇİN HERHANGİ BİR HASAR DA DAHİL OLMAK ÜZERE HİÇBİR SONUÇAL, TESADÜFİ, ÖRNEK TEŞKİL EDEN VEYA ÖZEL ZARARLARDAN SORUMLU OLMAYACAKTIR VE EZVİZ'İN BU GARANTİ VEYA ÜRÜNDENDEN KAYNAKLANAN VEYA BUNLARLA İLGİLİ TOPLAM KÖMÜLATİF SORUMLULUĞU ORJİNAL ALICI TARAFINDAN ÜRÜN İÇİN ÖDENEN TUTARI AŞMAYACAKTIR. NOT: BAZI DEVLETLER VEYA HÜKÜMETLER, KAZA VEYA DOLAYLI ZARARLARIN HARIÇ TUTULMASI VEYA SINIRLANMASINA İZİN VERMEMEKTEDİR, YUKARIDAKI SINIRLAMALAR VEYA HARIÇ TUTULMALAR SİZİN İÇİN GEÇERLİ OLMAYABİLİR.

SORUMLULUK SINIRLAMASI

TÜM ÜRÜN BİLGİLERİ VE VERİLER, "OLDUĞU GİBİ" VE "MEVCUT OLDUĞU KADAR" SİZE KOLAYLIK SAĞLAMAK İÇİNDİR." EZVİZ, ÜRÜN BİLGİLERİNİN VE VERİLERİN MEVCUT, DOĞRU VEYA GÜVENİLİR OLACAĞINI VEYA ÜRÜNÜN ÜRÜN BİLGİLERİNİN VE VERİLERİNİN VEYA KULLANIMININ EVİNİZDE GÜVENLİK SAĞLAYACAĞINI İFADE ETMEZ, GÜVENCE VERMEZ VEYA GARANTİ ETMEZ. TÜM ÜRÜN BİLGİLERİNİ, VERİLERİNİ VE ÜRÜNÜ KENDİ TAKDİRİNİZLE VE RİSKİ KABUL EDEREK KULLANIRSINIZ. ÜRÜN BİLGİLERİ, VERİ VEYA ÜRÜN KULLANIMINIZDAN KAYNAKLANAN KABULAMA, MÜŞTEMİLAT, ELEKTRİK, EV, ÜRÜN, ÜRÜN ÇEVRE BİRİMLERİ, BİLGİSAYAR, MOBİL CİHAZ VE DİĞER TÜM ÖGELER VE EVÇİL HAYVANLAR DA DAHİL TÜM KAYIP SORUMLULUK VEYA HASARLARDAN (VE EZVİZ FERAGATLERİNDE) SORUMLU OLACAKSINIZ. EZVİZ TARAFINDAN SAĞLANAN ÜRÜN BİLGİLERİ VE VERİLER, BİLGİLERİN DOĞRUDAN ELDE EDİLMESİ İÇİN BİR TEMSİLCİ OLARAK TASARLANMAMIŞTIR. ÖRNEĞİN, ÜRÜN ARACILIĞIYLA SAĞLANAN BİR BİLDİRİM, EVDE VE ÜRÜNDE SESLİ VE GÖRÜNÜR GÖSTERGE TEMSİLCİSİ VEYA ÜÇÜNCÜ PARTİ İZLEME HİZMETİ İÇİN TASARLANMAMIŞTIR. Lütfen herhangi bir sorunuz olduğunda satıcınıza veya Müşteri Hizmetlerimizle iletişime geçmekten çekinmeyin.

ضمان محدود

شكراً لك لشراء منتجات Hangzhou EZVIZ Software Co., Ltd. (EZVIZ). يمتك هذا الضمان المحدود (يُشار إليه باسم "الضمان") بصفتك المشتري الأصلي لمنتج EZVIZ. طبقاً لقانونية محددة. ويمكنك أن تتمتع أيضاً بالحقوق القانونية الأخرى التي تخلف حسب الولاية أو المحافظة أو الولاية القضائية. وينطبق هذا الضمان على المشتري الأصلي للمنتج فقط. يُقصد بـ"المشتري الأصلي" أي مستهلك اشترى منتج EZVIZ من بائع مخول. لن ينطبق إخلاء المسؤولية والامتيازات وتحديد المسؤولية بموجب هذا الضمان إلى الحد الذي يحظره القانون المعمول به. لا يحق لأي مزود أو بائع أو وكيل أو موظف إجراء أي تعديل أو تحديث أو إضافة لهذا الضمان.

يتم ضمان منتج EZVIZ لمدة عام واحد بدءاً من تاريخ الشراء. عند حدوث العيوب في المواد ودقة الصنع أو لمدة أطول قد ينص عليها القانون في الدولة أو الولاية التي يُباع بها هذا المنتج. عند استخدامه بشكل طبيعي وفقاً لدليل المستخدم.

يمكنك طلب خدمة الضمان عن طريق الاتصال بخدمة العملاء. بالنسبة إلى أي منتجات EZVIZ معينة بموجب الضمان، ستقوم EZVIZ بحسبما يراهي لها، بما يلي (1) إصلاح المنتج أو استبداله مجاناً، أو (2) تعديل المنتج بمنتج مكافئ يعمل (3) إرجاعه لمن الشراء الأصلي. شريطة أن تقدم إيصال الشراء الأصلي أو نسخة منه ووصفاً موجزاً للعبب وأن تعيد المنتج في عبوته الأصلية. وفق لتقدير EZVIZ وحدها، يمكن إجراء الإصلاح أو الاستبدال بمنتج جديد أو مجدد أو مكونات جديدة أو معددة. لا يغطي هذا الضمان تكلفة الشحن أو التأمين أو أي تكاليف عارضة نتجدها عند إرجاع المنتج.

ما لم يحظر ذلك القانون المعمول به، فإن هذا هو التعويض الوحيد والحصري لك عن خرق هذا الضمان. تشمل شروط هذا الضمان أي منتج تم إصلاحه أو استبداله بموجب هذا الضمان لمدة تسعين (90) يوماً من تاريخ التسليم أو لفترة الضمان الأصلي المتبقية.

- لا يسري هذا الضمان ويُعد لاحقاً في الحالات التالية:
- إذا تمت المطالبة بالضمان بعد انتهاء مدة الضمان أو إذا لم يتم تقديم حجة الشراء.
- في حالة وجود أي عيب أو خلل أو عطل ناتج عن صدمة أو سوء استعمال أو عبث أو استخدام مخالف لدليل الإرشادات وأجب التطبيق أو الجهد الكهربائي غير الصحيح لخط الطاقة الكهربائية أو حادث أو فقدان أو سرقة أو حريق أو فيضان أو القضاء والقدور أو التلف أثناء الشحن أو التلف الناتج عن إصلاحات أجراها موظفون غير معتمدين.
- في حالة وجود أي أجزاء مستهلكة كالبطاريات، حيث يكون العطل بسبب التقادم الطبيعي للمنتج.
- تلف الشكل، ويشمل على سبيل المثال لا الحصر الخدوش والتآبعاجات وقطع البلاستيك المكسورة عند المناقذ.
- أي برنامج، حتى إذا كان مغلفاً أو يباع مع أجهزة EZVIZ.
- في حالة أي تلف آخر حال من العيوب في المواد أو دقة الصنع.
- التنظيف الدوري وتلف ويلي الشكل والمكونات الميكانيكية العادية.

إخلاء المسؤولية عن الضمانات

بإستثناء ما هو منصوص عليه أعلاه في هذا الضمان وإلى أقصى حد يسمح به القانون المعمول به، تخلي EZVIZ مسؤوليتها عن جميع الضمانات الصريحة والضمنية والقانونية والأحكام فيما يتعلق بمنتجنا، بما في ذلك الضمانات الضمنية للتسويق والملائمة لغرض خاص أو مدة أي ضمانات أو شروط ضمنية وأجبة التطبيق لمدة هذا الضمان أو أمان المنتج أو توافر معلومات أو بيانات المنتج وموثوقيتها.

ملاحظة: لا تسمح بعض الولايات أو الدوائر القضائية ببيود على مدة استمرار الضمانات الممنوحة ضمناً، ولذلك قد لا ينطبق تحديد المسؤولية سالف الذكر عليك.

تحديد الأضرار

لن تشمل EZVIZ بأي حال من الأحوال مسؤولية أي أضرار لاحقة أو عرضية أو تحذيرية أو خاصة بما في ذلك على سبيل المثال لا الحصر خسارة البيانات أو خسارة الأرباح، الناتجة عن أو المتعلقة بهذا الضمان أو المنتج ولن تتعدى مسؤولية EZVIZ الإجمالية الزاكنية الناتجة عن أو المتعلقة بهذا الضمان أو المنتج المبلغ المدفوع فعلياً لمنأ للمنتج من طرف المشتري الأصلي.

ملاحظة: لا تسمح بعض الولايات أو الدوائر القضائية بإستثناء أو تحديد المسؤولية الخاصة بالأضرار العارضة أو اللاحقة، لذلك قد لا تنطبق حالات تحديد المسؤولية أو الإستثناء سالف الذكر عليك.

تحديد المسؤولية

توفر كل معلومات وبيانات المنتج لراحتك، كما هي و"حسب توفرها". لا تتر EZVIZ أو تضمن توفر معلومات وبيانات المنتج أو دقتها أو موثوقيتها أو أن توفر معلومات وبيانات المنتج أو استخدام المنتج الأمان في منزلك. ويجب أن تستخدم كل معلومات وبيانات المنتج والمنتج وفقاً لتفديرك الخاص وعلى مسؤوليتك الخاصة. ستشمل وحدك المسؤولية (وتخلي EZVIZ مسؤوليتها) عن أي أو كل خسارة أو مسؤولية أو أضرار تشمل الأضرار التي تسبب الأسلاك والتريكات والكهرباء، والمنزل والمنتج وملحقات المنتج والكمبيوتر والجهاز المحمول وجميع الأغراض الأخرى والحيوانات الأليفة، والتي تنجم عن استخدامك لمعلومات وبيانات المنتج أو المنتج. ليس الغرض من معلومات وبيانات المنتج المقدمة من EZVIZ أن تحل محل الوسائل المباشرة للحصول على المعلومات. على سبيل المثال لا يُقصد بالإخطار مقدم من خلال المنتج أن يكون بديلاً للعلامات المسومعة والمرئية في المنزل وعلى المنتج، أو لخدمة المراقبة من جهة خارجية. رجاءاً لا تردد في الاتصال بالبائع أو خدمة العملاء، إذا كانت لديك أي أسئلة.



UD13657B